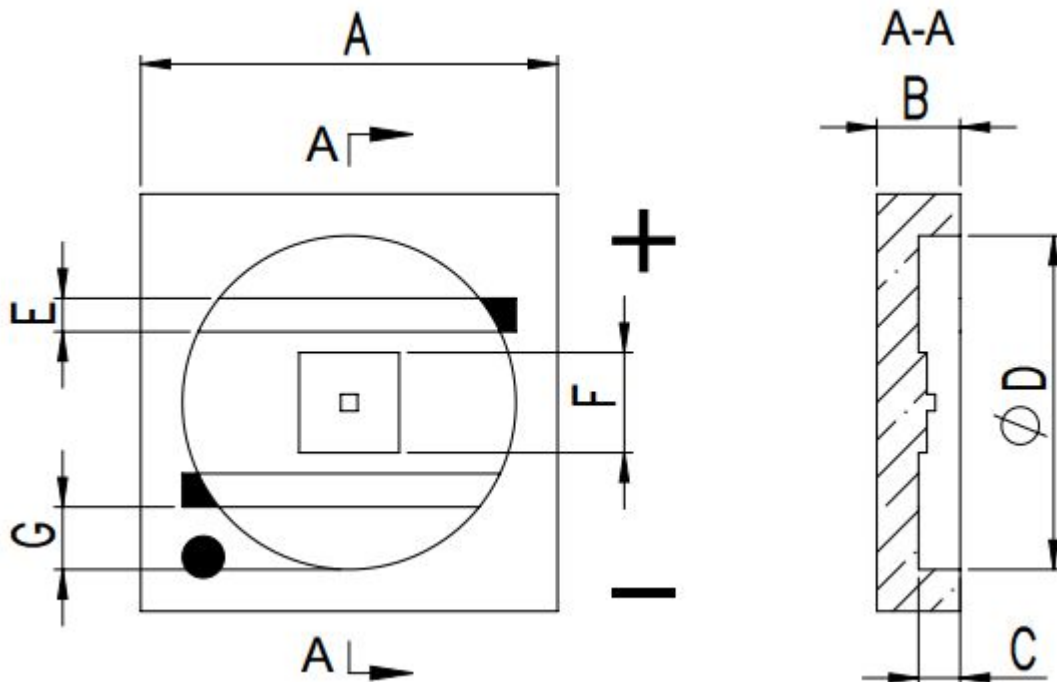


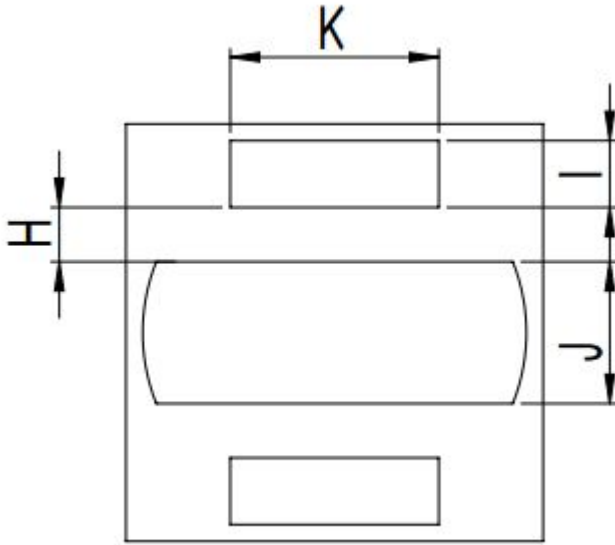
TH-UV280-5050C-B



TENTION
OBSERVE PRECAUTIONS
FOR HANDLING
ELECTROSTATIC
DISCHARGE
SENSITIVE
DEVICES

Product Demensions(unit:mm)





Size details			
Size	Min	Typ	Max
A	4.8	5.0	5.2
B	0.92	1	1.08
C	0.45	0.5	0.55
D	3.85	4	4.15
E	0.3	0.4	0.5
F	1.1	1.2	1.3
G	0.65	0.75	0.85
H	0.55	0.65	0.75
I	0.7	0.8	0.9
J	1.6	1.7	1.8
K	2.4	2.5	2.6

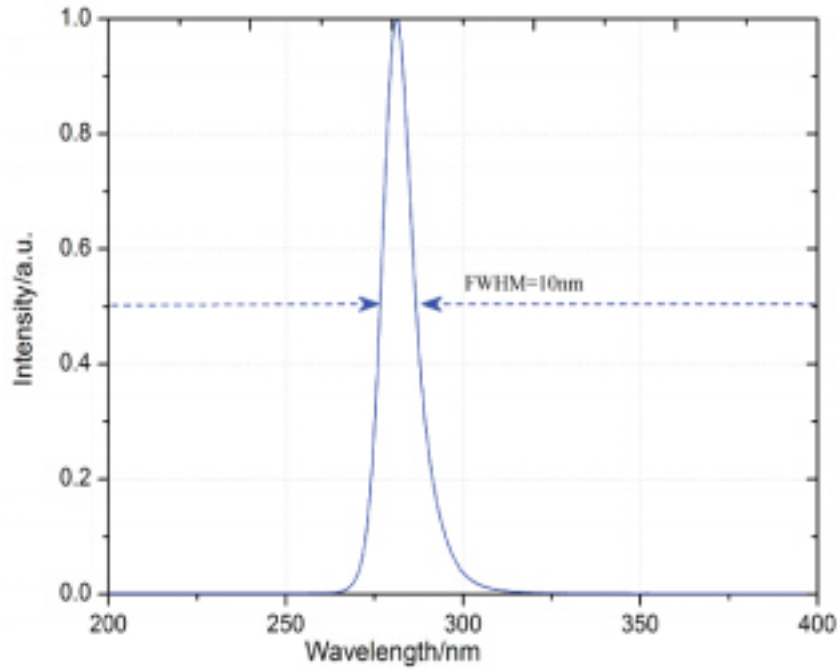
1. Conditions of use and storage method

Parameter	Unit	Max
Input Power	mW	200
Operative Current	mA	25
Pulse(frequency 1kHz,duty cycle 5%)	mA	100
Operative Voltage	V	8 (CW), 10 (Pulse)
Operative Temperature	°C	-30~+55
Storage Temperature	°C	-30~+55
Working/storage environment humidity	%	0~80

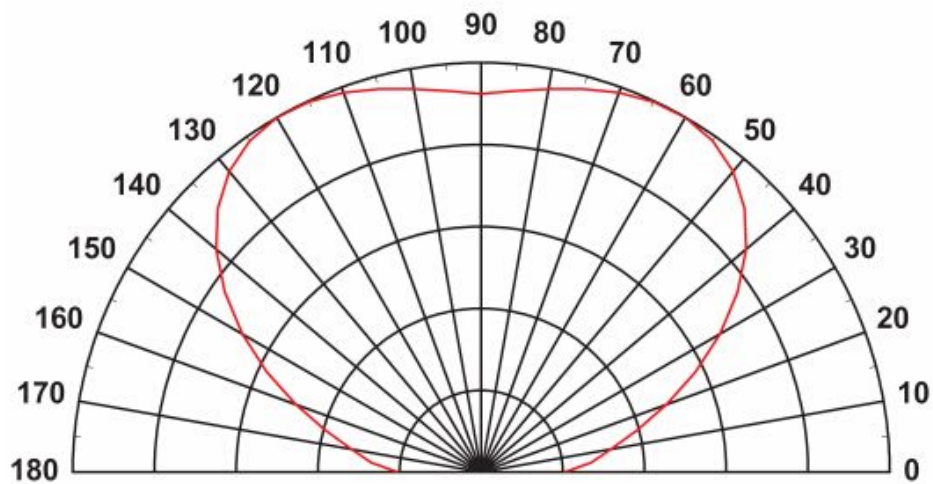
2. Typical Electrical&Optical Characteristics(Ta=25°C,I_F=20mA)

Wavelength (nm)			Part No.	Dimension (L*W*H) (mm)	Optical Output Power Po[mW]		Voltage V _F [V]		Viewing Angle	Half peak width
					I _F /20mA					nm
min	Typ	max			min	max	min	Max	2θ _{1/2} (°)	Typ
277	280	283	TH-UV280-5050C-B	5.0*5.0*1.0	1.0	1.5	5.0	7.0	140	10

3. Optical Characteristics (T=25°C, I_F= 20mA)

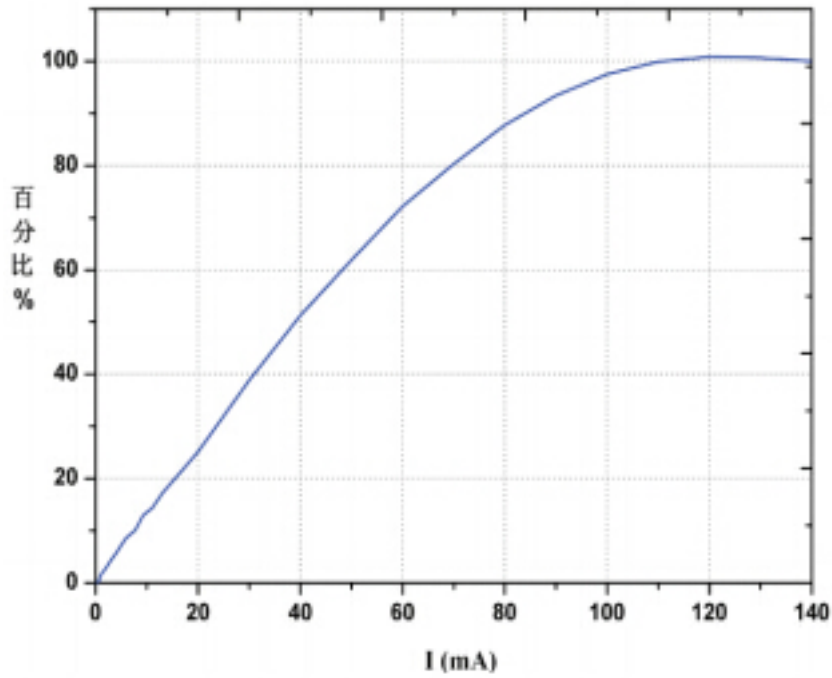


Output Spectra

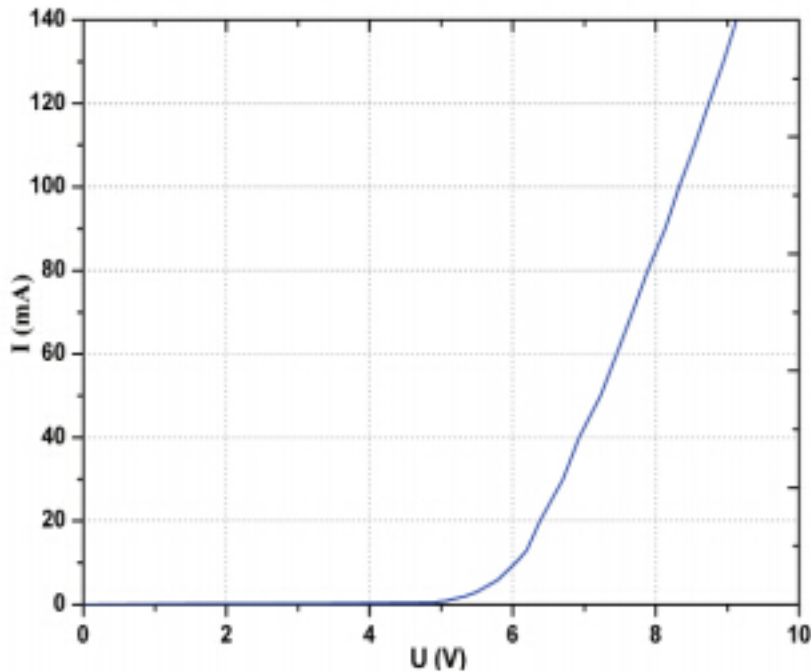


Emission angle

4. Electrical Characteristics (T=25°C, I_F= 20mA)



Radiation Power VS Current



I-V characteristic



Features:

- ✓ Environmental friendly : No Hg, Cd, Br, Pb
- ✓ Physical sterilization process : High Sterilizing Rate
- ✓ Low energy consumption
- ✓ Long service life

Other Remarks

1. Do not touch the surface of the led, in case to affect the normal emitting.
2. Make sure the right positive and negative pole.
3. Do not watch closely, it is harmful to your eyes.